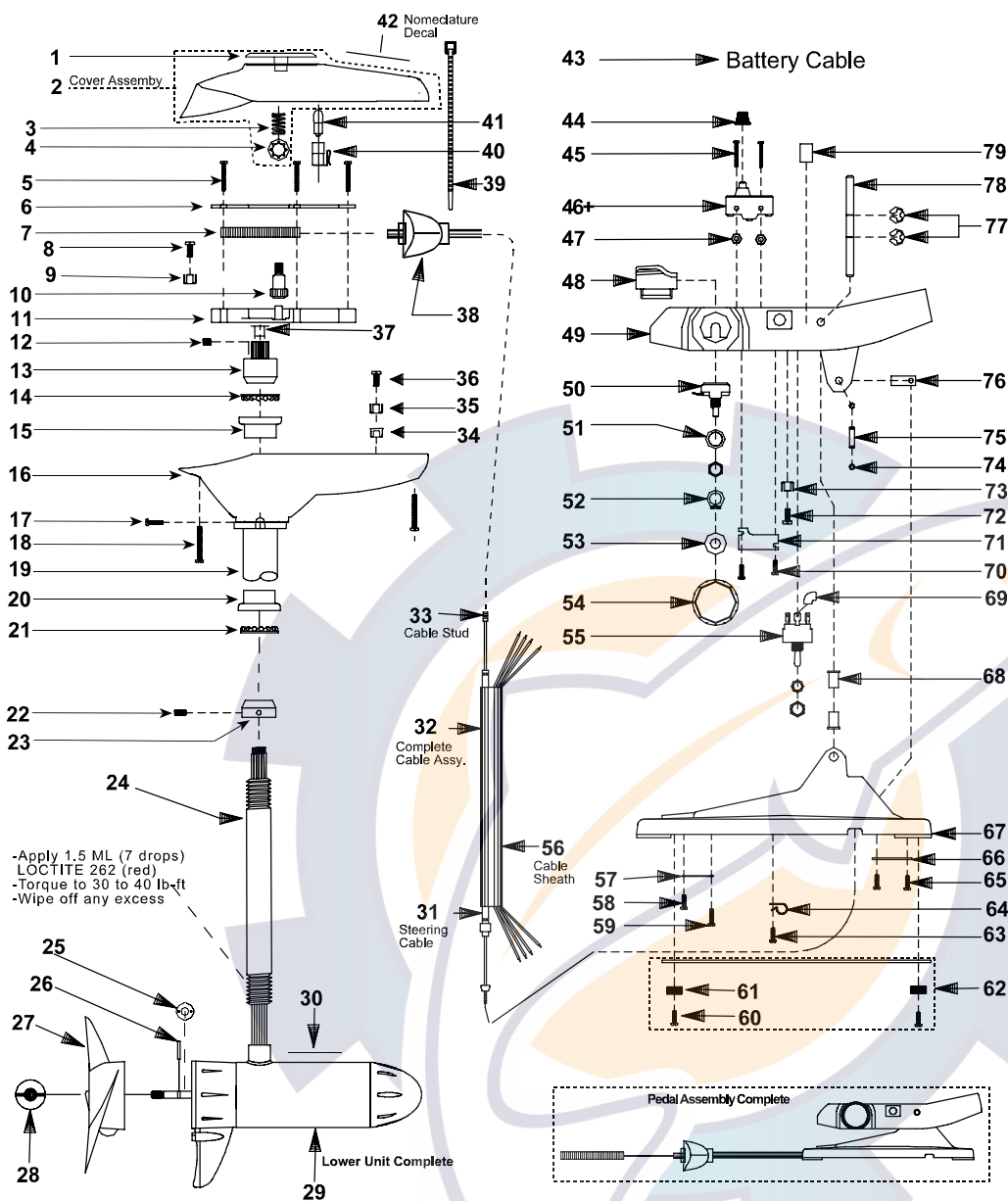


Model: ENERGY
EF45

SPECIFICATIONS:
 Year of Intro 2000
 Thrust 45LBS
 Volts 12VDC
 Amp Draw 0 to 48 amps
 Mount 15 Bow
 Speeds 5 Forward

PARTS ORDERING & TECH ASSISTANCE
 MotorGuide Consumer Relations
 Phone 918-831-6989
 Fax 800-982-8093

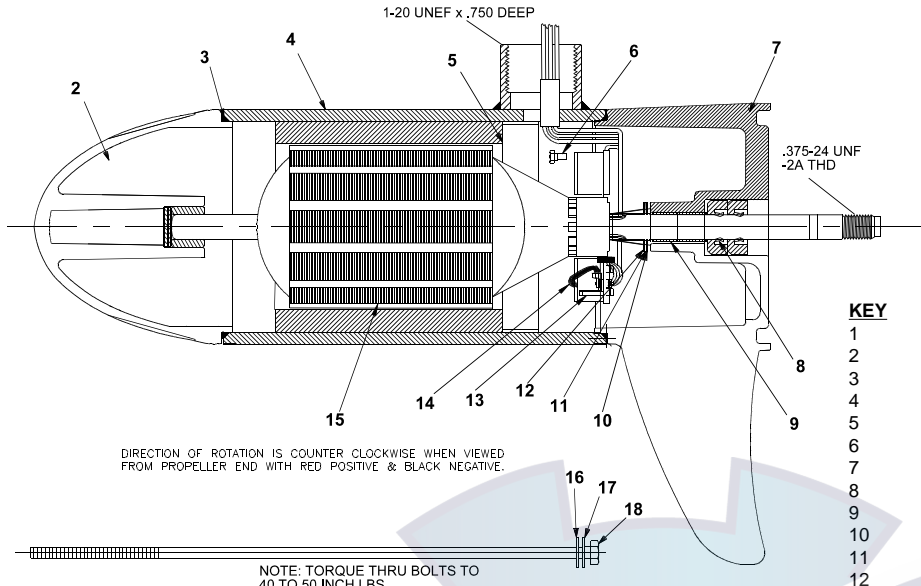
Returned Goods must be accompanied with a Returned Goods Authorization. Contact MotorGuide Consumer Relations to obtain RGA.



KEY	DESCRIPTION	PART #	31	59
1	RED INDICATOR	AF078-08	63" CONTROL CABLE STUD ASY 9377	6 X 1/2 SCREW AF135-01
2	T/H COVER COMPLETE BLACK	EF053-17	69" CONTROL CABLE STUD ASY 9767	6 X 1/2 SCREW AF135-01
3	COMPRESSION SPRING	AF014-01	63" CONTROL CABLE ASY AP327-16	FOOT PEDAL PAD KP023-01
4	TINNERMAN CLIP	AF046-01	69" CONTROL CABLE ASY AP327-18	WEIGHT PLATE ASY LP3123-01
5	#6 RACK GUIDE SCREW	XF133-01	CONTROL CABLE STUD AP141-01	6 X 1/2 SCREW AF135-01
6	RACK GUIDE COVER	AF127-01	ON SERT PAL NUT TT098-03	CABLE CLAMP KP036-01
7	RACK	AP125-01	TERMINAL (4 PRONG) FT160-03	SCREW IR133-01
8	#10 X 1/2 SCREW	RT133-03	#10 X 1/2 SCREW RT133-03	BATTERY CLAMP KP036-02
9	TERMINAL (4 PRONG)	FT160-03	PINION NUT BUSHING AF021-01	FOOT PEDAL BASE LP003-01
10	INDICATOR GEAR	AF069-01	GROMMET AP071-02	SHAFT BUSHING KP021-01
11	RACK GUIDE	AF126-01	CABLE TIE AF030-01	INSULATING SLEEVE AT080-01
12	1/4 NUT SET SCREW	AF142-01	LAMP HOLDER AF394-01	6 X 1/2 SCREW AF135-01
13	PM PINION NUT	AF398-01	LAMP AF093-03	RETAINER PLATE LP123-03
14	BEARING	FM005-01	NOMENCLATURE EF056-12	#10X1/2 SCREW RT133-03
15	BEARING CUP	AF007-01	BATTERY CABLE ASY EP328-07	ON SERT PAL NUT TT098-03
16	T/H BASE BLACK	EF004-16	MICRO SWITCH BOOT KP157-01	E RING FP046-01
17	RIVET	LF111-03	#6 32 X 1 1/2 SCREW LP135-01	CABLE PIVOT PIN AP105-01
18	#8 X 5/8 SCREW	AT141-01	MICRO SWITCH AP151-01	CABLE PIVOT LP091-01
19	42/50" OUTER TUBE	AF165-06	6 - 32 NUT S.S SP098-02	.312 E RING BK046-02
20	BEARING CUP	FM007-01	MICRO BUTTON LP026-01	FOOT PEDAL ROCKER PIN LP102-01
21	BEARING	FM005-01	FOOT PEDAL LP101-03	SWITCH DECAL LP057-09
22	CONE SET SCREW	AF143-01	ROTARY SWITCH HF150-01	
23	BEARING CONE	AF006-01	LOCK WASHER 3/8 KP171-01	
24	42" .105 SS F/O COLUMN	AF049-09	GRIP RING LP046-01	
25	MONOFILAMENT WASHER	AR175-01	NYLON WASHER AK171-02	
26	PROP DRIVE PIN	BR102-01	SPEED KNOB LP082-07	
27	PROP	AF124-12	TOGGLE SWITCH 3 POSITIONS FP153-03	
28	PROP NUT	AR099-01	69" ELECTRIC CABLE JACKET MM9006-03	
29	MOTOR	EF397-07	63" ELECTRIC CABLE JACKET MM9006-02	
30	LOWER UNIT DECAL	ET060-07	CABLE PLATE KP123-01	
			#6 SELF TAP SCREW EK135-01	

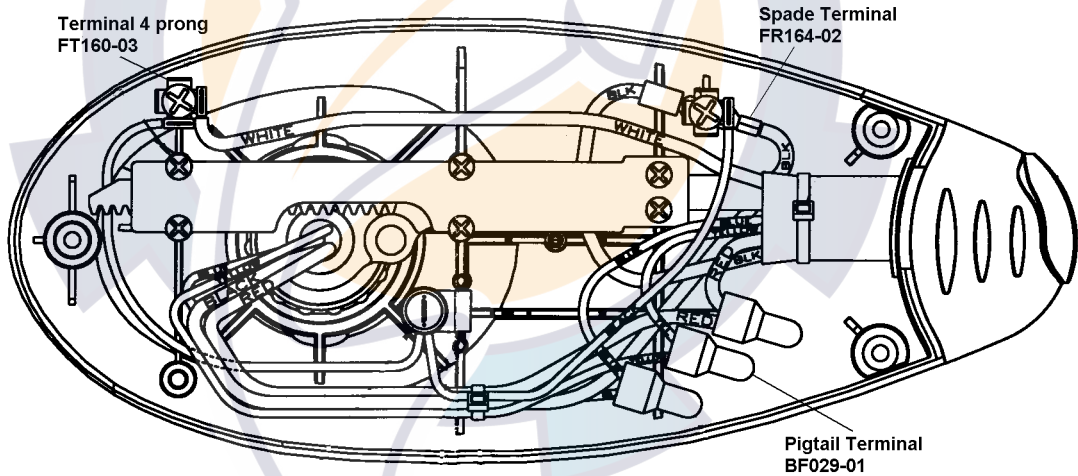
LOWER UNIT BREAKDOWN

Model:
EF45



KEY	QTY	DESCRIPTION	PART NO.
1	X	MOTOR	EF397-07
2	1	NOSE CAP	XF3212-01
3	2	O RING SEAL	MR217-01
4	1	HOUSING ASY	KF3210-01
5	1	RETAINER	JF233-01
6	2	BRUSH CARD SCREW	MR228-01
7	1	COMM CAP	EF3205-03
8	2	SHAFT SEAL	MR223-01
9	1	BEARING	MR206-01
10	1	NYLATRON WASHER	MR226-01
11	1	WASHER	MR227-01
12	1	E RING	MR219-02
13	2	BRUSH SPRINGS	MR214-02
14	1	BRUSH ASY LESS SPRING	EF3201-01
15	1	ARMATURE	KF3207-01
16	4	STATIC SEAL	MR222-01
17	4	THRU BOLT WASHER	MR216-01
18	2	THRU BOLT	MR218-01

WIRING



FOOT PEDAL

TOP HOUSING

